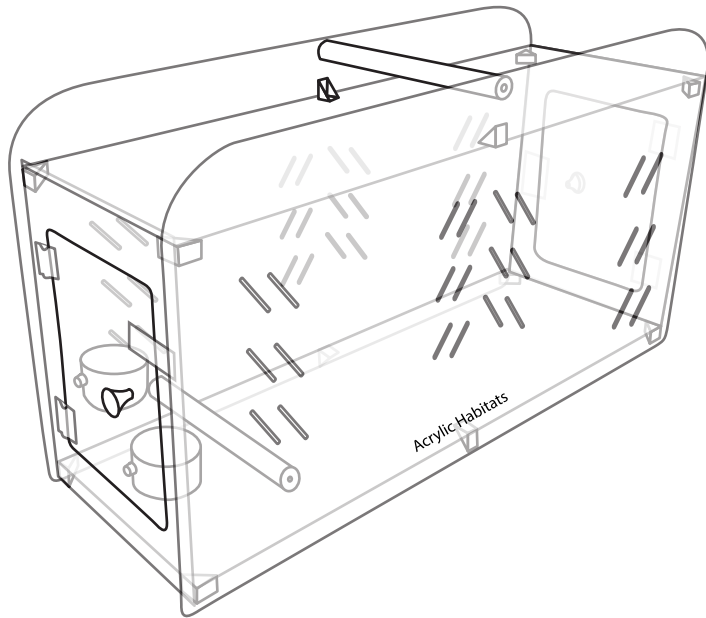




ACRYLICARRIER

MACAW



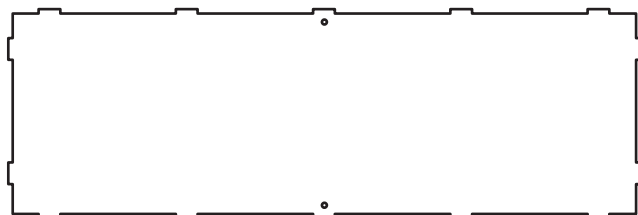
ASSEMBLY INSTRUCTIONS

Getting started! Read these notes first:

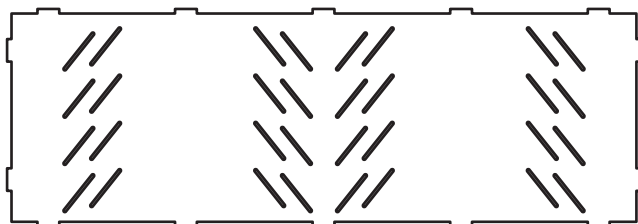
1. Review these instructions thoroughly before attempting to assemble the carrier. If you still require assistance, please contact **Acrylic Habitats Customer Service**.
 - a. Phone: [\(984\) 777-4811](tel:9847774811)
 - b. Email: customerservice@acrylichabitats.com
 - c. Online: www.acrylichabitats.com
2. **Review All Parts:** If parts have been damaged or are missing, please contact Acrylic Habitats Customer Service.
3. **Tools:** Phillips Screw Driver (not included). If using power tools, please be careful not to overtighten any screws.
4. Two-person assembly is recommended for best results.
5. **Protective Paper:** Please note the orientation stickers on the protective paper. Test fit all pieces before removing the paper. If any of the protective paper sticks to the acrylic, we recommend using Goo Gone or an ammonia free glass cleaner to remove excess glue.
6. **Return Policy:** Returns are **ONLY** accepted in the original packaging with the protective paper still intact.
7. Visit www.acrylichabitats.com for tutorials and assembly videos!
8. Please do not leave the carrier outside in direct sunlight. Acrylic is an insulative material and may overheat.



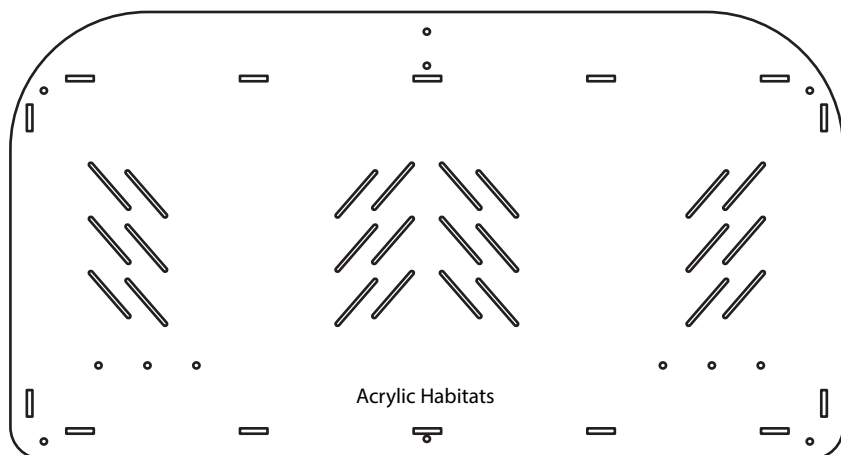
Parts List



Bottom

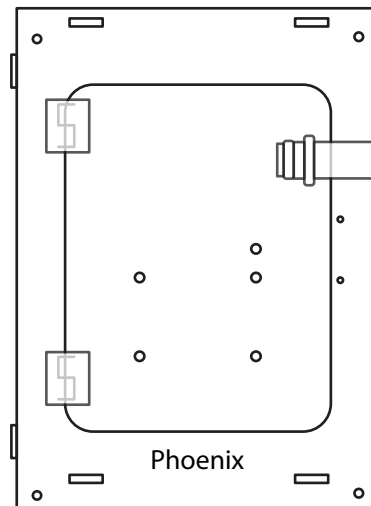


Top



Acrylic Habitats

Front / Back (2)



Side Door (2)



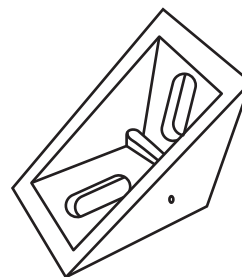
Door Knobs with screws (2)



Door Jam with screws (2)



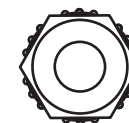
Hex Nut Driver



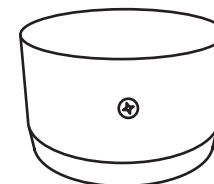
Corner Clips (12)



Screws (24)



Nuts (24)



Stainless Steel Feeder Cups (2)



Perches (2) 11"

Step 1

To assemble the back piece:

Lay the back of the carrier flat on a hard surface with the logo facing down and backwards. Position the back piece so the bottom is closest to you. Remove the screws from two 11" perches and mount the two perches to the back piece (please note, the perch can be mounted onto any side hole, this is personal preference). Tighten the screws.

Using the hex nut driver and a Philips screw driver, install six clips onto the back piece. The edge of the clips should be in line with the side edge of the back piece (**Fig 1-1**).

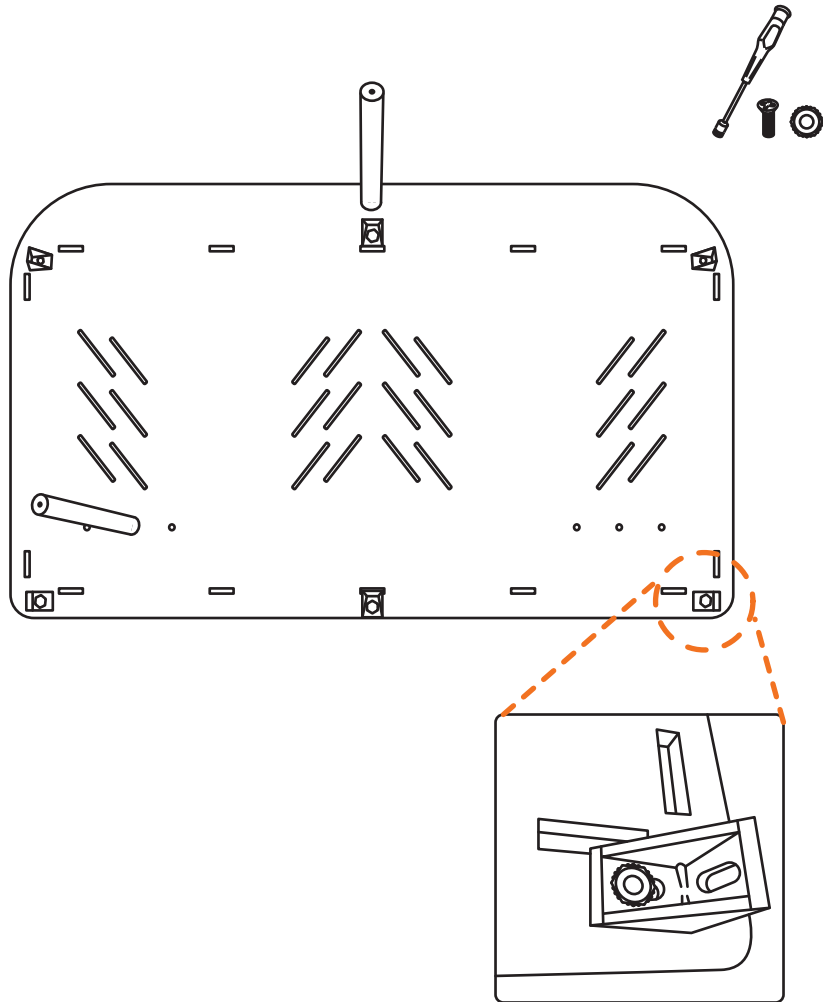


Fig. 1-1

Step 2

To assemble the side doors:

Prepare the 2 doors by adding two corner clips to each door as imaged (**Fig 2.1**). Install the door jams on the inside of the carrier. The door jams go on the inside of the carrier but are screwed on from the outside. Install the door knob onto each door. Tighten the screw from the back of the door. Gentle screw in the two feeder cups to the inside of the door. (**Fig 2.2**).

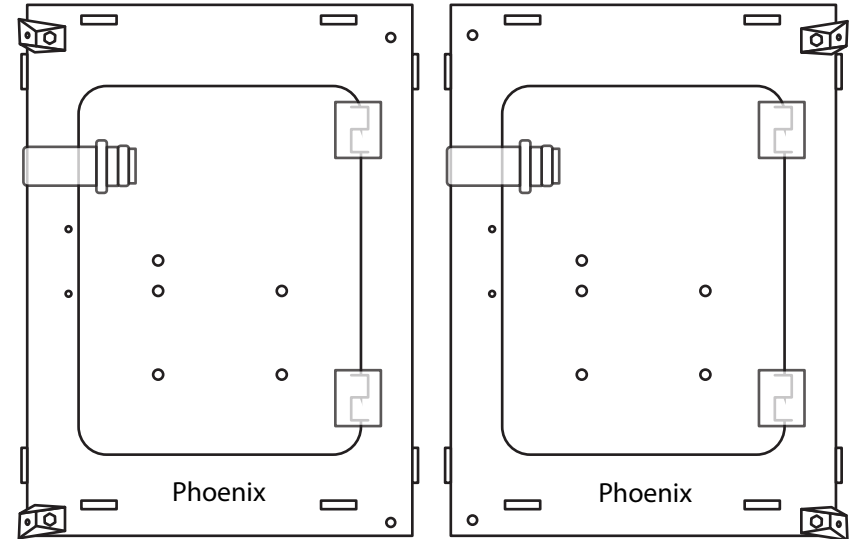


Fig 2.1

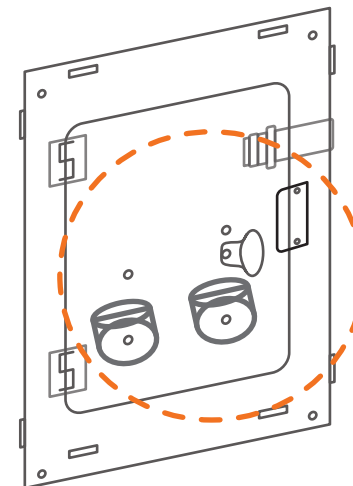


Fig 2.2

Step 3

To assemble the top, bottom, and side pieces:

While not necessary, it may be helpful to have a second person assist in holding the pieces during this step.

Attach the top and bottom pieces by gently pressing the pegs into the plugs on the back piece. Attach the right piece onto the back by gently pressing the pegs into the plugs. Attach the left-side piece. Make sure that all the pegs are secured into their plugs.

Add the second set of screws and nuts to the bottom six corner clips. This will secure the sides of the carrier to the back of the carrier (Fig 3-1).

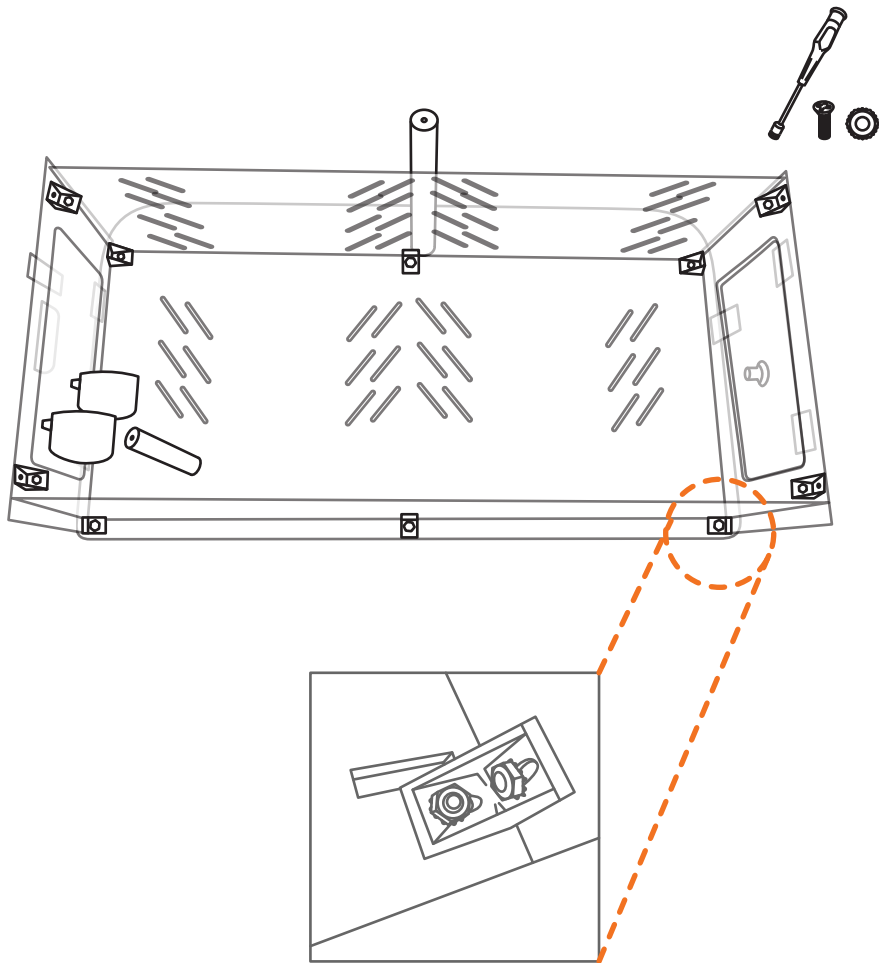


Fig. 3-1

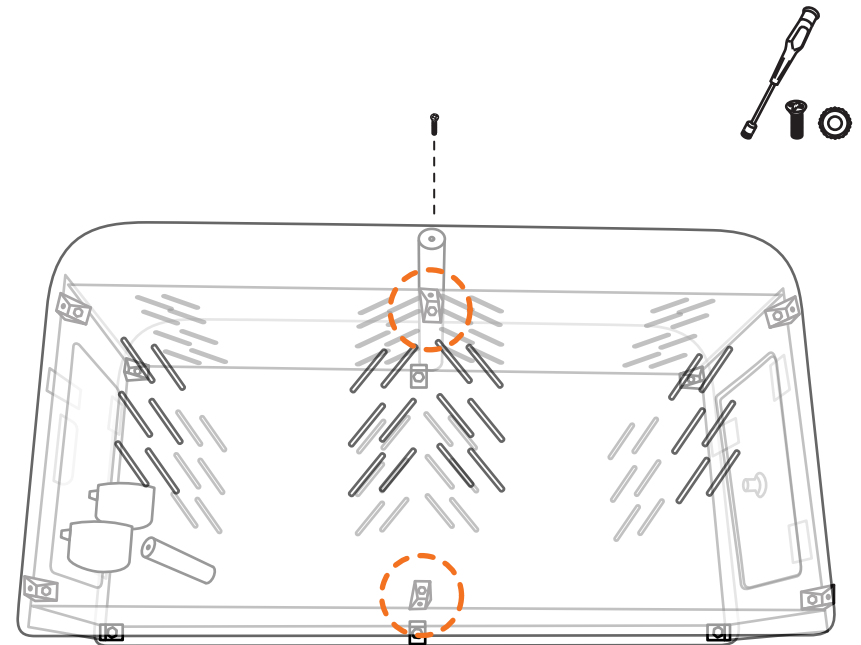
Step 4

To assemble the front piece:

Using the hex nut driver and a Philips screw driver, install the last two clips onto the front edge of the sides pieces. The edge of the clips should be in line with the outside edge of the pieces.

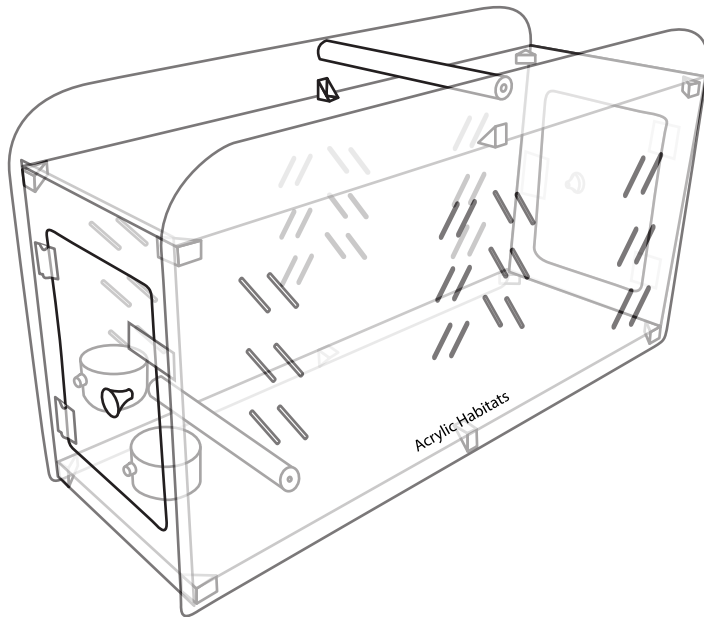
Attach the top piece by gently pressing the pegs into the plugs on the front piece. Take two screws and secure the two perches extending from the back piece into place.

Add the second set of screws and nuts to the top six corner clips. This will secure the sides of the carrier to the front of the carrier.



Flip the unit up right so the bottom piece is now flat on the hard surface.

THE CARRIER IS NOW FULLY ASSEMBLED AND READY FOR USE.



CLEANING & CARE INSTRUCTIONS

1. When cleaning the carrier, use an ammonia free glass cleaner or mild dish soap. We recommend SprayWay Cleaner.
2. After washing, dry the carrier thoroughly with a soft cotton cloth to prevent scratches or residue. Do not leave in the sun to dry.
3. Any minor hazing or fine scratches can be buffed out with a plastic polish. We recommend Novus Polish #2.
4. For worn or soiled perches, replace with untreated wood dowels.